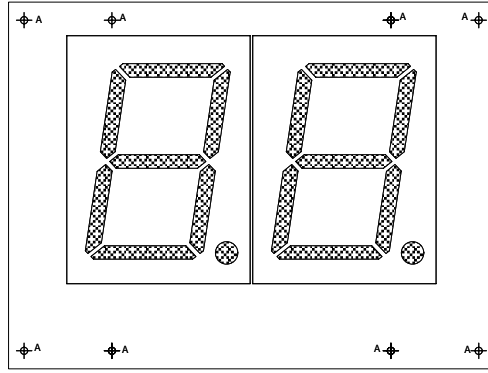
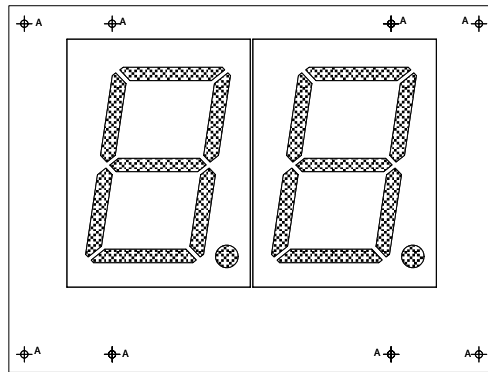


OPTIONAL SECOND DISPLAY

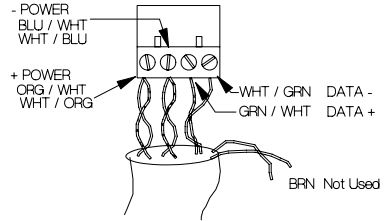


DISPLAY



Note: If distance between Control Box and Display causes excessive voltage drop, a local power supply for the display may be used. The Control Unit provides 15 VDC, and the Display requires at least 12 VDC, allowing for a 3 volt drop in wiring.

The local power supply should provide at between 12 and 17 VDC at 500 mA.



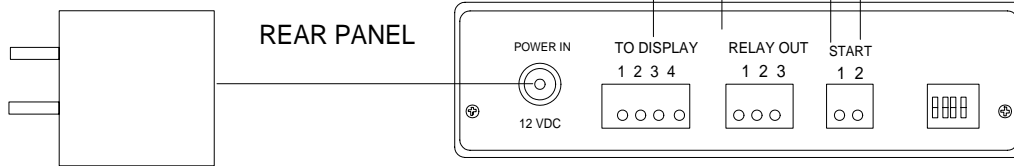
SUGGESTED COLOR CODE USING CAT 5 CABLE

DEVICE TO BE STARTED (VIDEO, AUDIO ETC)

START SWITCH



2 PAIR CABLE POWER AND DATA



POWER SUPPLY  
15 VDC @900 mA

TO DISPLAY:  
1 +12 VDC  
2 GROUND  
3 DATA +  
4 DATA -

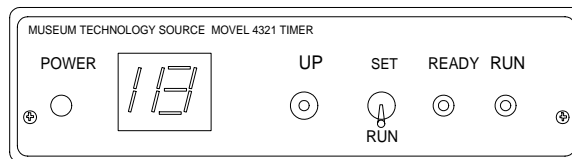
RELAY OUT  
NORM OPEN AND  
NORM CLOSED  
CONTACTS  
TO START EXTERNAL  
DEVICE AT END OF  
COUNT

START TERMS  
MOMENTARY  
CONTACT STARTS  
COUNTDOWN

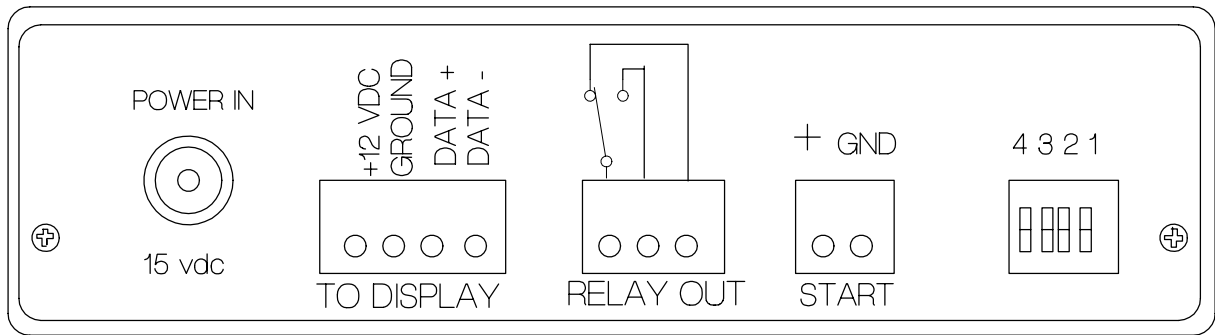
DIP SWITCHES TO  
SELECT VARIOUS  
OPERATING  
MODES

PLUGGABLE TERMINAL BLOCKS

FRONT PANEL



## REAR PANEL, 4321 COUNTDOWN TIMER



DISPLAY DRAWS 600 MA MAX  
DATA IS RS-485

TO DISPLAY:  
1 +12 VDC  
2 GROUND  
3 DATA +  
4 DATA -

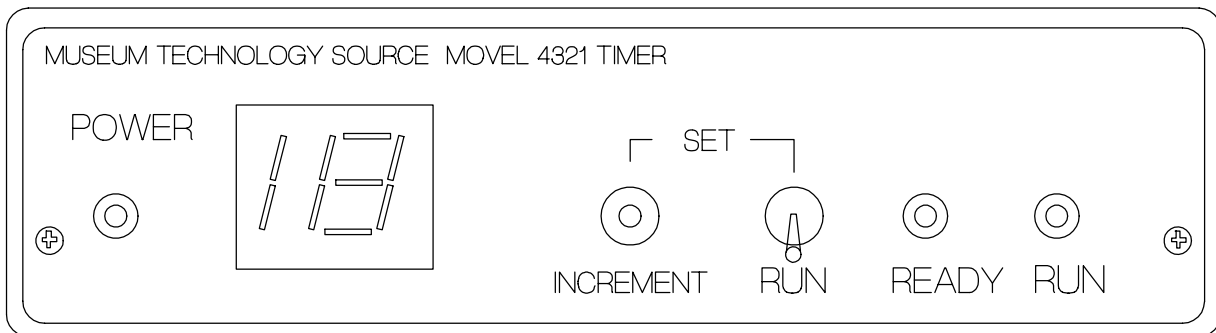
RELAY OUT  
NORM OPEN AND  
NORM CLOSED  
CONTACTS  
TO START EXTERNAL  
DEVICE AT END OF  
COUNT  
1 SECOND PULSE

START TERMS  
MOMENTARY  
CONTACT STARTS  
COUNTDOWN

DIP SWITCHES TO  
SELECT VARIOUS  
OPERATING  
MODES

PLUGGABLE TERMINAL BLOCKS  
5.08 mm

DIP SWITCH SETTINGS	
0 = DOWN    1 = UP	
0000	Count starts with momentary contact. Additional contacts ignored.
0011	Same as above except additional contact starts count down from beginning
0001	Display counts down continuously
0010	Display counts as long as contact is maintained across start terminals



POWER ON  
LAMP

DISPLAY DUPLICATES  
REMOTE READOUT

IN "SET" MODE USE  
TO INCREMENT TO  
DESIRED TIME

UP TO SET  
TIME, DOWN  
FOR NORMAL  
OPERATION

LIGHTS  
WHEN  
READY

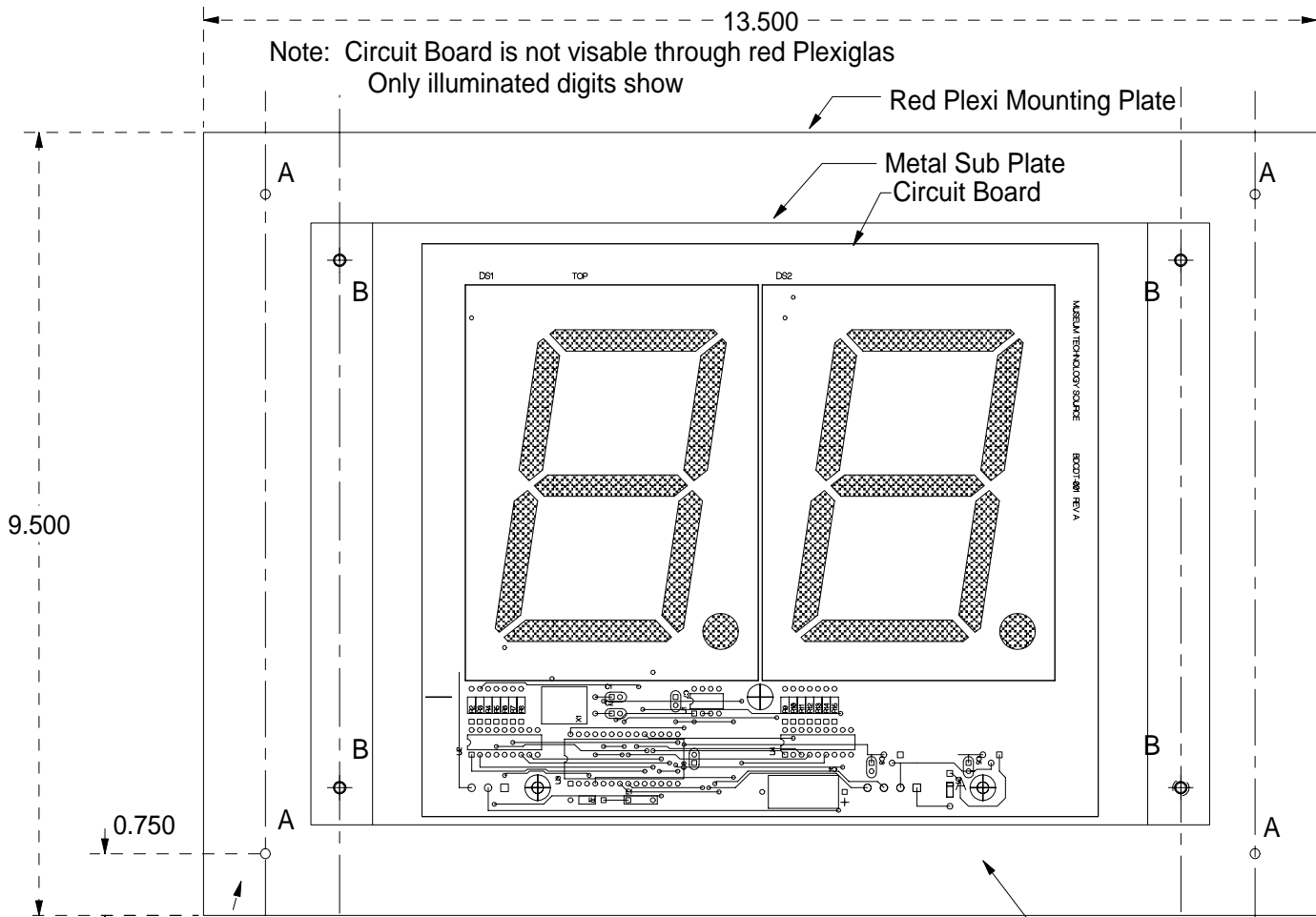
FLASHES  
WHILE  
COUNTING

## FRONT PANEL, 4321 COUNT DOWN TIMER

FRONT AND REAR VIEWS  
4321 COUNT DOWN TIMER

Revised January 20 2009  
Revised July 9 2001  
MAY 20 1999

MUSEUM TECHNOLOGY SOURCE INC  
323 Andover St. Wilmington MA 01887  
800-729-6873 fax 978-657-7132  
www.museumtech.com

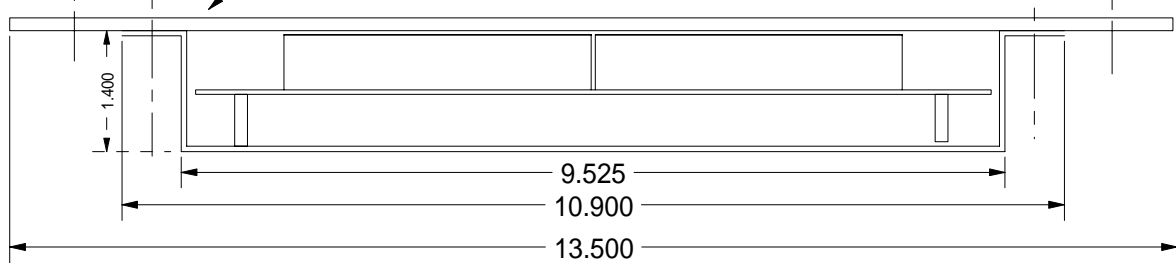


**Front View**

Connector to  
Control Unit

Mounting Plate, 1/8" Red Plexiglas

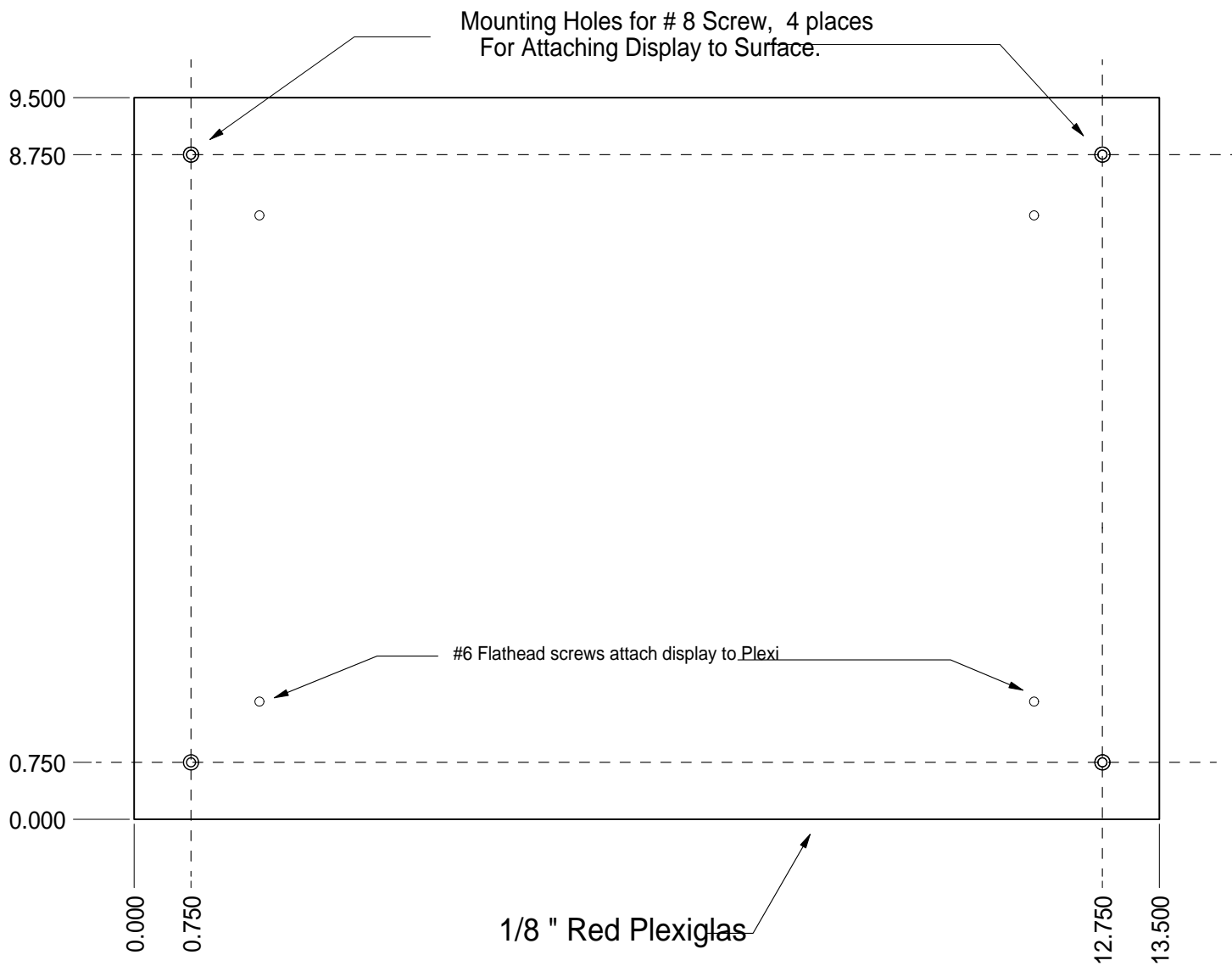
Mounting Holes  
4 Places Drilled  
for # 8 Screw



**View from Top**

# 4321 Count Down Timer Display Mounting Dimensions

Museum Technology Source Inc.  
Wilmington Mass. 01887  
800-729-6873  
Revised October 2003 MPC



## 4321 Countdown Timer Display Mounting Dimensions

Museum Technology Source Inc.

Dec 5 2002 MPC